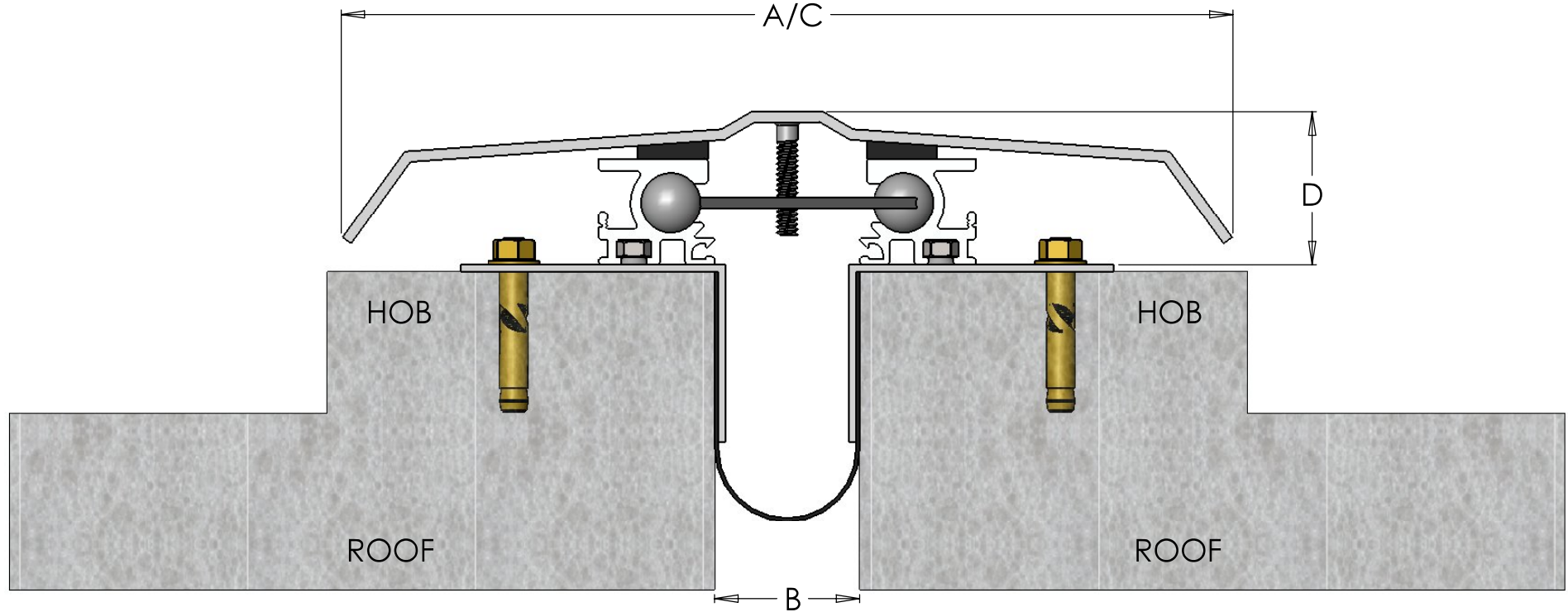


DYNABOLT/INSTALLATION INFO

DYNABOLT	M8	CODE	DP08040	HOLE ϕ	8mm
----------	----	------	---------	-------------	-----

DO NOT SCALE

MISKA RJ34



MISKA RJ34

A	COVERPLATE	250 X 3mm
B	GAP (MIN, MID, MAX)	(7,25,75)mm
C	OVERALL WIDTH	250mm
D	BASE HEIGHT	43mm
	MOVEMENT	68mm

PRODUCTION DRAWING

ENGINEERED ARCHITECTURAL PRODUCT
 PHONE (+617) 3277 7077
 (+617) 3277 8858
 EMAIL ENQUIRES @ MISKA.COM.AU
 WEB WWW://MISKA.COM.AU



DRAFTED: PG	DATE: 29.4.11
VERIFIED: NJ	DATE:
APPROVED:	DATE:
Q.A:	DATE:
SCALE:	1:1.25
CONCEPT NO:	C000408

TITLE:
MISKA RJ34

DWG NO: P000233

SHEET 2 OF 3

SHEET SIZE A3

REVISION:

0

THIS DRAWING IS COPYRIGHT AND THE PROPERTY OF MISKA PTY. LTD. AND MUST NOT BE REPRODUCED WITHOUT WRITTEN PERMISSION