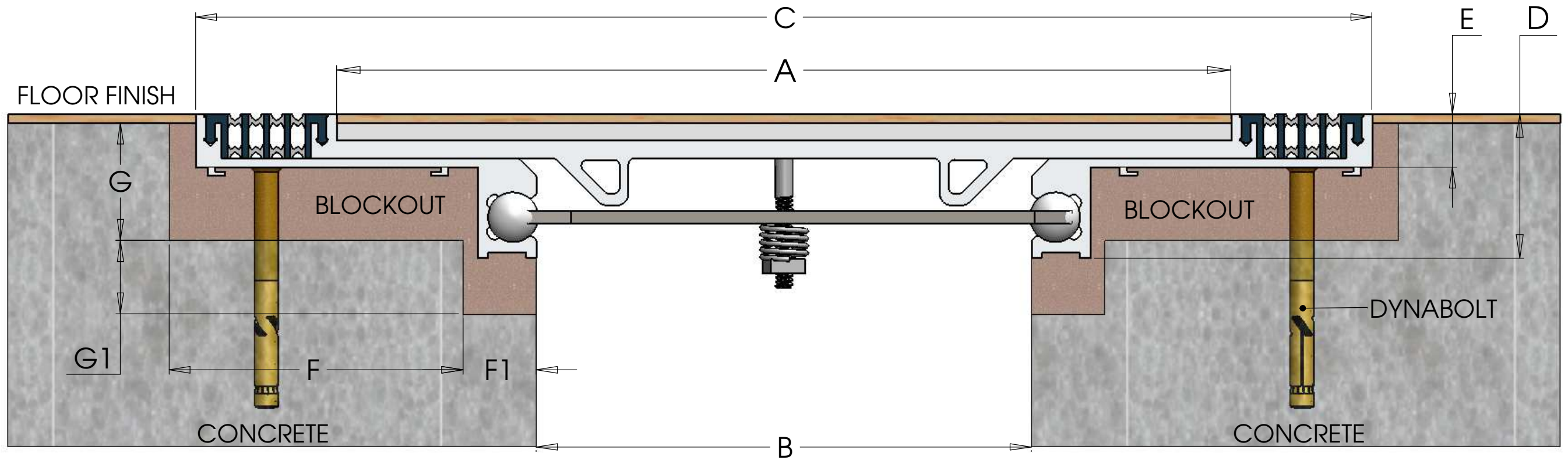


DYNABOLT/INSTALLATION INFO

DO NOT SCALE

DYNABOLT	M8 x 85	CODE	DP08085F	HOLE ϕ	10mm
-----------------	---------	-------------	----------	-------------------------------	------

MISKA MSD300



MSD300

A	TRAY	6 X 9 x 304mm
B	GAP (MIN, MID, MAX)	(140,165,190)mm
C	OVERALL WIDTH (MIN, MID, MAX)	(373,398,421)mm
D	BASE HEIGHT	49mm
E	HEIGHT	18mm
F	BLOCKOUT WIDTH (F,F1)	(100,25)mm
G	BLOCKOUT HEIGHT (G,G1)	(40,25)mm
	MOVEMENT	50mm

PRODUCTION DRAWING

ENGINEERED ARCHITECTURAL PRODUCT
 PHONE (+617) 3277 7077
 (+617) 3277 8858
 EMAIL ENQUIRES @ MISKA.COM.AU
 WEB WWW://MISKA.COM.AU



DRAFTED: AO	DATE: 10.08.10
VERIFIED: NJ	DATE:
APPROVED:	DATE:
Q.A:	DATE:
SCALE:	1:1.5
CONCEPT NO:	-

TITLE: MSD300

DWG NO: P000102

SHEET 1 OF 2

SHEET SIZE A3

REVISION:

0

THIS DRAWING IS COPYRIGHT AND THE PROPERTY OF MISKA PTY. LTD. AND MUST NOT BE REPRODUCED WITHOUT WRITTEN PERMISSION