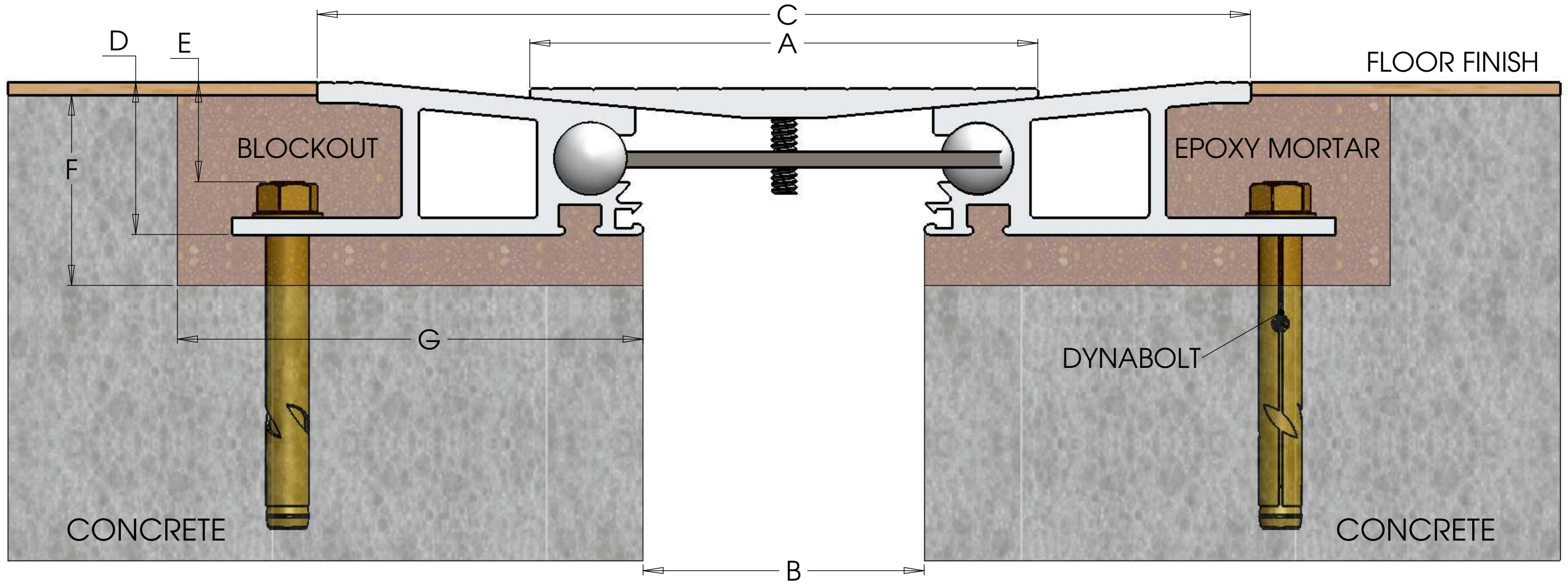


DYNABOLT/INSTALLATION INFO

DYNABOLT M10 x 75 CODE DP10075 HOLE ϕ 12mm

DO NOT SCALE

MISKA ACPT120



ACPT120

A	COVERPLATE	120mm
B	GAP (MIN, MID, MAX)	(37,66,95)mm
C	OVERALL WIDTH (MIN, MID, MAX)	(191,220,249)mm
D	BASE HEIGHT	36mm
E	COVERAGE	25mm
F	BLOCKOUT HEIGHT	45mm
G	BLOCKOUT WIDTH	110mm
	MOVEMENT	58mm

PRODUCTION DRAWING

ENGINEERED ARCHITECTURAL PRODUCT
 PHONE (+617) 3277 7077
 (+617) 3277 8858
 EMAIL ENQUIRES @ MISKA.COM.AU
 WEB WWW://MISKA.COM.AU



DRAFTED: PG	DATE: 09.06.10
VERIFIED: NJ	DATE:
APPROVED:	DATE:
Q.A:	DATE:
SCALE: 1:1	
CONCEPT NO: -	

TITLE:
ACPT120

DWG NO: P000078

SHEET 1 OF 2

SHEET SIZE A3

REVISION:

0

THIS DRAWING IS COPYRIGHT AND THE PROPERTY OF MISKA PTY. LTD. AND MUST NOT BE REPRODUCED WITHOUT WRITTEN PERMISSION