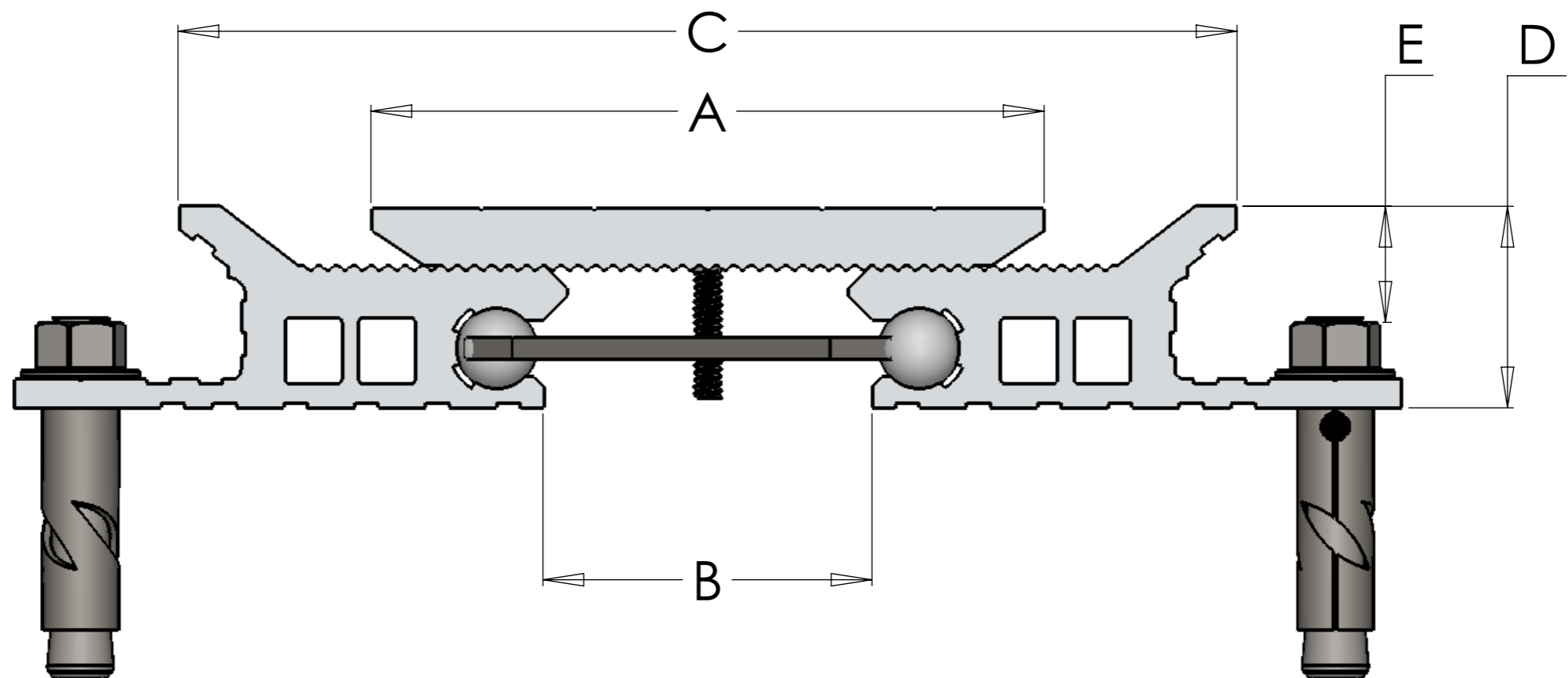


DO NOT SCALE



ACEHD142CI

A	COVERPLATE	142 X 12mm
B	GAP (MIN, MID, MAX)	(18,54,90)mm
C	OVERALL WIDTH (MIN, MID, MAX)	(5)mm
D	BASE HEIGHT	42.5mm
E	COVERAGE	23.5mm
F	BLOCKOUT HEIGHT	50mm
G	BLOCKOUT WIDTH	120mm
	MOVEMENT	72mm

CONCEPT NO: -

A	ORIGINAL ISSUE	20.09.11	PG
NO:	DESCRIPTION	DATE:	NAME



MISKA

ENGINEERED ARCHITECTURAL PRODUCT
 PHONE (+617) 3277 7077
 (+617) 3277 8858
 EMAIL ENQUIRES @ MISKA.COM.AU
 WEB WWW://MISKA.COM.AU

DRAFTED:	PG	DATE:	20.90.11
VERIFIED:	NJ	SCALE:	1:1.25
TITLE:	ACEHD142CI		
DWG NO:	-		
SHEET SIZE	A3	REVISION	A
SHEET 2 OF 2			

THIS DRAWING IS COPYRIGHT AND THE PROPERTY OF MISKA PTY. LTD. AND MUST NOT BE REPRODUCED WITHOUT WRITTEN PERMISSION